



Like pouring colors in the water of your spa!

in.mix 300

Create stunning underwater color shows with Gecko's light system for your spa



A lighting control console at your fingertips

When connected to one of our X or Y series control systems for spas and hot tubs, in.mix transforms our in.k1000 touch screen and in.k800 color display keypads in real lighting consoles with a perfect interface. Create your personalized ambiance easily with an infinite selection of colors and a light intensity dimmer.

Lights up to 3 different color zones

in.mix can drive and control up to 3 light zones in or around your spa. The color selection of each zone can

be independently managed or synchronized to create stunning visual ensembles. Fast or slow fading effects can be added, and the light intensity, adjusted to the mood you wish to create.

The power to create the perfect ambiance

in.mix comes with a built-in power supply and can be connected to a 120V or 240V output of your spa's control system. It can drive up to 100 points of RGB in 3 zones and illuminate the water of your spa or create accent colors around it.



in.mix 300

a real lighting control console right at your fingertips



in.k1000 touch screen keypad

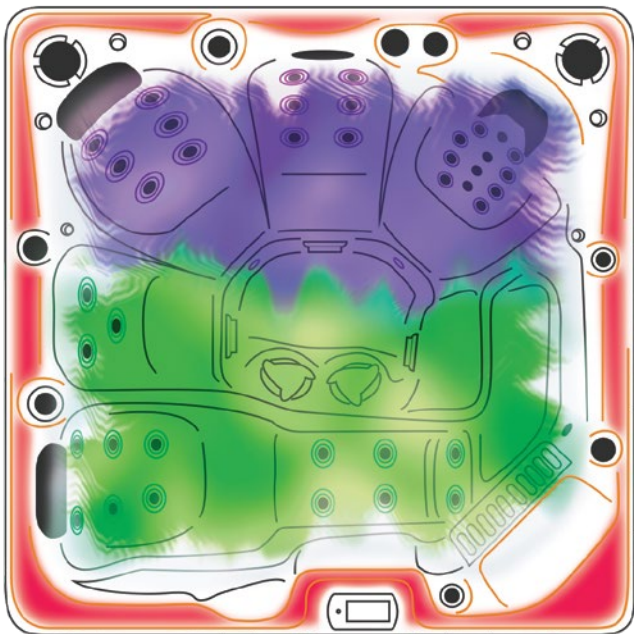


in.k800 color display keypad

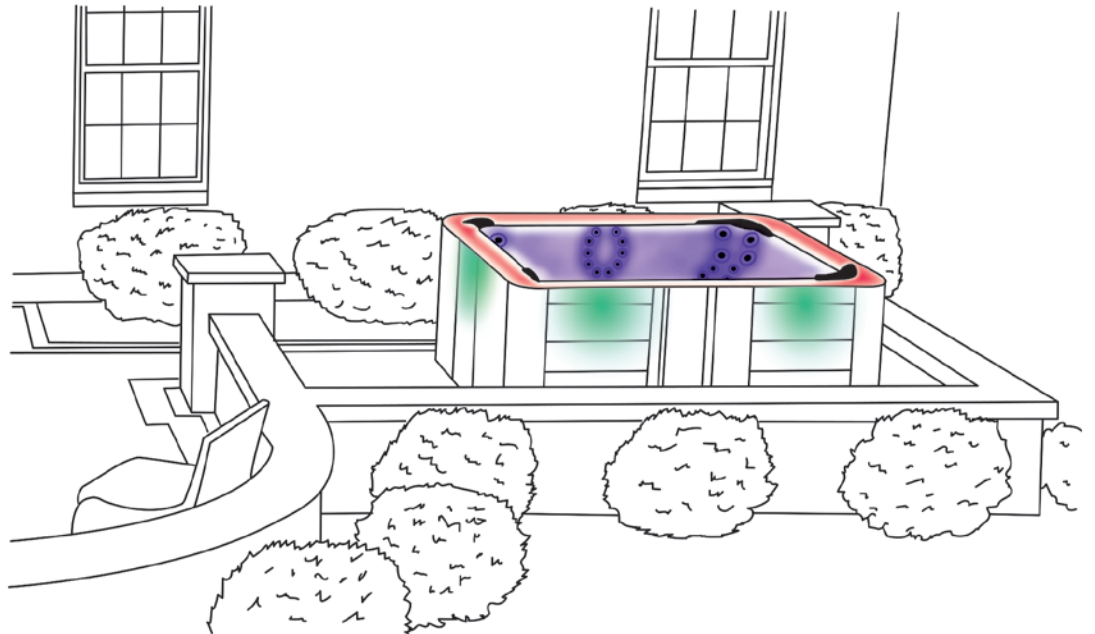
Through the truly interactive in.mix interface of our in.k1000 touch screen keypad, with simple presses and slides of a fingertip, you can activate zones, choose a color from the selection wheel, synchronize zones, create fading effects and set color intensity. You can control most of these functionalities with the 10 color selection wheel interface of our in.k800 color display keypad.

up to 3 different color zones

independently managed or synchronized to create stunning visual effects



Create 3 zones inside your spa



Use the 3 zones to create accented color areas around your spa

Light therapy is truly enjoyed by an ever-growing number of spa users. Color can entertain, sooth, relax and even influence moods. With its 3 controllable light zones, integrated design, state-of-the-art manufacturing, optimal performance and reliability, Gecko's in.mix 300 is an accessory with real added value for any spa or backyard.

the power to illuminate

up to 100 points of RGB with built-in power supply

Main features:

- up to 3 zone auto detection with the pack configuration
- up to 78,000 colors *
- up to 100 points of light (RGB)

Input specifications:

- input voltage 120/240 Vac 50/60 Hz

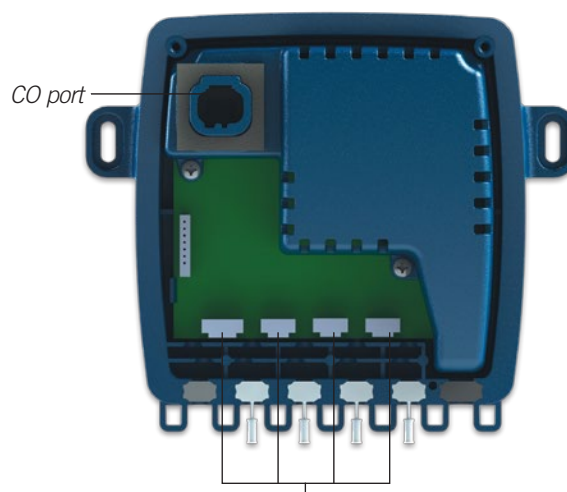
Output specifications:

- 5 Vdc output, variable
- 4 connector outputs
- additional CO connector for other accessories
- plug and play with J&J Light Spider
- compatible with X and Y series version 2 (-V2)
- requires an in.k800 v.22 and an in.k1000 v.14

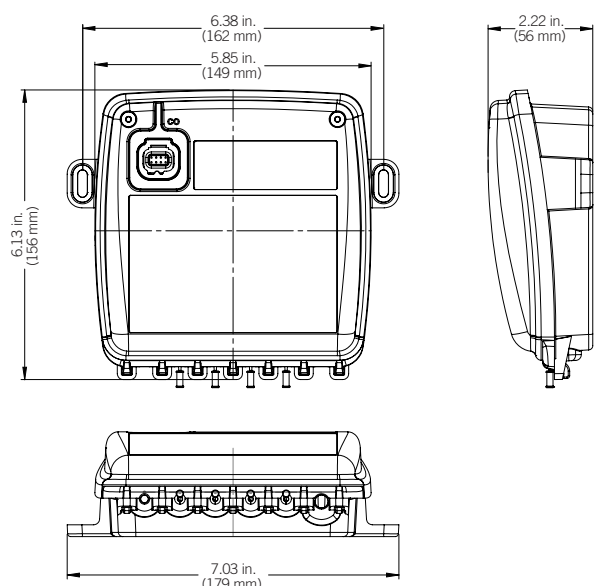
Environmental:

- operating temperature -4°F (-20°C) to 140°F (60°C)
- storage temperature -22°F (-30°C) to 140°F (60°C)

* With in.k1000 touch screen keypad. With in.k800 keypad: 10 colors and 2 rainbow fading effects available.



outputs 1 - 2 - 3 - 4 (configurable)



UL & CSA certifications:

- UL1563 sixth ed.
- UL file: to be determined
- CSA No. 22.2 - 218.1 - M89

European certifications:

- EN/IEC60335-1: 2010/A1: 2013
- EN/IEC60335-2: 60/A2: 2008
- CSA No. 22.2 - 218.1 - M89

CEM Europe:

- EN 55014-1
- EN 55014-2
- EN 61000-3-2
- EN 61000-3-3

Some certifications still pending at product introduction date.